



ENERGY EFFICIENT FLUORESCENT TUBE SERIES

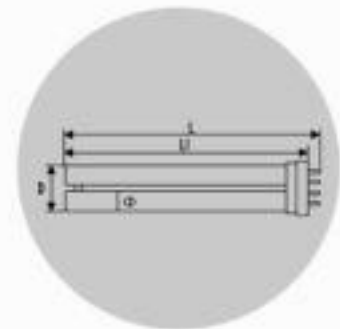
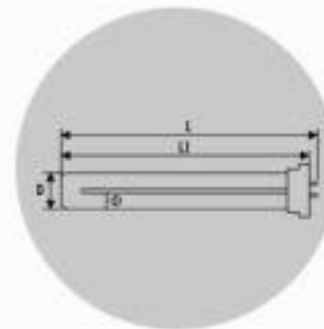
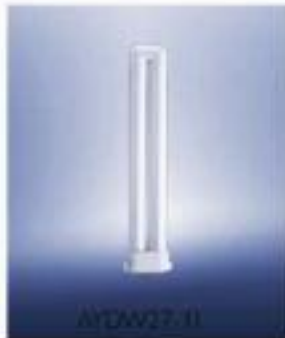
High lumen output.

High lumen efficiency, long life.

Excellent color rendering.

Energy saving, more compact and easy installation.

Application: office, restaurant, Hospital, house, shops and etc.



| Type | Voltage (V) | Watts (W) | Lumens (lm) | Life (Hrs) | Temperature color (K) | CRI (Ra) | Tube Voltage (V) | Tube current (mA) | Base | Size (mm) | | | | Primary (mm) | | | Master carton (mm) | | |
|-----------|-------------|-----------|-------------|------------|-----------------------|----------|------------------|-------------------|-------|-----------|-----|-----|----|--------------|----|-----|--------------------|-----|-----|
| | | | | | | | | | | Dia. | L | LI | D | L | W | H | L | W | H |
| AYDW27-TI | 220 | 27 | 1715 | 6000 | 2700-6500 | 80/76 | 117 | 230 | GY10q | 20 | 254 | 248 | 43 | 84 | 23 | 269 | 445 | 255 | 294 |
| AYDW36-H | 220 | 36 | 2510 | 6000 | 2700-6500 | 80/76 | 106 | 435 | 2GI1 | 17.5 | 415 | 410 | 38 | 45 | 25 | 420 | 475 | 275 | 445 |