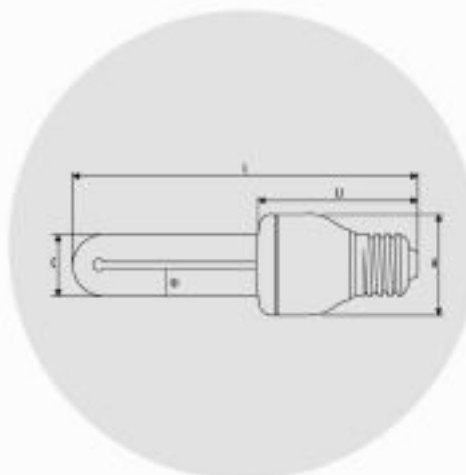




2U SERIES:

- More compact as compared to standard ELT.
- Fits most luminaires and especially where economical continuous lighting is needed.
- Up to 75% energy saving.
- Ten times the lamp life of a standard incandescent lamp.
- Excellent color rendering, excellent light distribution.
- Flicker free, instant start.
- Universal burning position.



Code No.	Watts (W)	Voltage (v)	Base	Average Life (Hrs) (≥)	Initial Lumens (lm)	CRI (≥)	Power Factor (≥)	L (mm)	LI (mm)	A (mm)	Dia (mm)	C (mm)	Master carton (cm/60/pcs)			Weight (gross/kg)
													L	W	H	
AFE84	5/ELD	120/230	E14/E27/B22	8000	180	80	0.5	112	65	42	12.0	27	57.5	25	16.1	7.7
	7/ELD	120/230	E14/E27/B22	8000	250	80	0.5	120	65	42	12.0	27	57.5	25	17.1	7.9
	9/ELD	120/230	E14/E27/B22	8000	360	80	0.5	132	65	42	12.0	27	57.5	25	18.1	8.2
	11/ELD	120/230	E14/E27/B22	8000	525	80	0.5	142	65	42	12.0	27	57.5	25	19.1	8.6
	15/ELD	120/230	E27/B22	8000	750	80	0.5	165	65	42	12.0	27	57.5	25	21.1	8.9
	18/ELD	120/230	E27/B22	8000	900	80	0.5	175	65	42	12.0	27	57.5	25	22.1	9.1
AFE89	5/ELD-M	120/230	E27/B22	8000	190	80	0.5	104	58	36	9.2	22	50.9	22	15.9	4.4
	7/ELD-M	120/230	E27/B22	8000	260	80	0.5	114	58	36	9.2	22	50.9	22	16.2	4.6
	9/ELD-M	120/230	E27/B22	8000	380	80	0.5	128	58	36	9.2	22	50.9	22	17.8	4.9
	11/ELD-M	120/230	E27/B22	8000	545	80	0.5	138	58	36	9.2	22	50.9	22	18.8	5.2

2U SERIES